

# Modero® Touch Panels

## 15" Modero Multimedia Touch Panel



**The 15" Modero VG Series Touch Panel – available in Table Top and Wall/Flush Mount versions – represents the ultimate multimedia touch panel solution.**

### THE CONTROLLING FORCE

Simplicity, convenience and luxury are benchmarks of the 15" Modero VG Series. It's the perfect solution for corporate and home environments where networked systems, multimedia functionality and a larger number of connected devices require powerful integration and control.

### DIGITAL STREAMING

Powered by a DSP core, the 15" VG Series has the muscle to handle digital streaming - both video and audio, in wired or wireless configurations. The 15" Modero VG Series features full support for standard MPEG-2 video and audio. Special cabling for media is no longer a requirement in order to leverage the network to its fullest potential.

### ALL ETHERNET

As with all next generation Modero panels, the 15" Modero VG Series uses industry-standard Ethernet connectivity for both wired and wireless networking. Integration and installation have never been easier.



## NXT-1500VG (FG2252-61) NXD-1500VG (FG2253-61)

### DIMENSIONS (HWD)

- NXT-1500VG (with faceplate): 14 3/8" x 15 1/4" x 3 1/4" (36.5 cm x 38.6 cm x 8.4 cm)
- NXT-1500VG (fully raised): 13" x 15" x 11 3/4" (32.9 cm x 38 cm x 29.8 cm)
- NXT-1500VG (fully lowered): 7 1/2" x 15" x 11 1/2" (18.9 cm x 38 cm x 29.8 cm)
- CB-TP15 (conduit/wallbox): 13 1/2" x 14 1/4" x 3 1/2" (34.2 cm x 36 cm x 8.9 cm)
- MB-TP15 (VESA mounting box): 14 3/8" x 15 1/4" x 3 5/8" (36.5 cm x 38.6 cm x 9.1 cm)

### POWER

- Constant current draw: 3.7 A @ 12 VDC (stand-alone)
- Startup current draw: 5.5 A @ 12 VDC (stand-alone)

### MINIMUM POWER SUPPLY REQUIRED

PSN6.5 Power Supply (FG423-41) - using accessories can increase the power draw requirements

### MEMORY

- 256 MB on-board memory
- 128 MB Compact Flash (upgradeable to 1 GB factory programmed)

### WEIGHT

- NXT-1500VG: 13.45 lbs (6.10 kg)
- NXT-1500VG: 17.15 lbs (7.78 kg)

### LCD PARAMETERS

- Aspect Ratio: 4:3
- Brightness (luminance): 400 cd/m<sup>2</sup>
- Channel transparency: 8-bit Alpha channel transparency
- Contrast ratio: 300:1
- Display area (HW): 304.13 mm x 228.10 mm
- Display colors: 16 million colors (24-bit color depth)
- Dot/pixel pitch: 0.297 mm
- Screen resolution (HW): 1024 x 768
- Video formats: NTSC, PAL, and SECAM (shown within variable-size video windows)

### VIEWING ANGLES

Vertical: + 85° (up from center) and - 85° (down from center)

### SUPPORTED AUDIO SAMPLE RATES

48000Hz, 44100Hz, 32000Hz, 24000Hz, 22050Hz, 16000Hz, 12000Hz, 11025Hz, and 8000Hz

### CERTIFICATIONS

FCC Part 15 Class B, CE, and EN 60950

### SUPPORTED TRANSPORT PROTOCOLS

- RTP (MPEG-2/MPEG-4 Transport Stream)
- UDP (MPEG-2 Transport Stream)

### SUPPORTED AUDIO CODECS

- Advanced Audio Coding (AAC)
- MPEG Audio Level 2 (MP2)
- MPEG Audio Level 3 (MP3)

### SUPPORTED VIDEO CODECS

- MPEG-2
- MPEG-4

### FRONT PANEL COMPONENTS

- Light Sensor: Photosensitive light detector for automatic adjustment of the panel brightness
- Motion Sensor (PIR): Proximity Infrared Detector to wake the panel when panel is approached
- Front Setup Access Button: Pushbutton (grey) used to either put the panel into a "sleep" or "wake" state
- Microphone: Used for intercom applications
- Speakers: Stereo output with a frequency response of 450 Hz - 7 KHz

### REAR PANEL COMPONENTS

- RGB Connector: Made available only by using an NXA-RGB interface card installed within the touch panel. Used with Component/RGB signals
- Audio/Video Connector: RJ-45 connector for communication of differential audio/video signals
- Ethernet 10/100 Port: RJ-45 port for 10/100 Mbps communication
- PWR Connector: 2-pin 3.5 mm mini-Phoenix connector
- Stereo Output Connector: Stereo output through a 3.5mm mini-jack
- USB Connector: Two Type A USB ports
- Mini-USB Connector: 5-pin Mini-USB connector

### OPERATING / STORAGE ENVIRONMENTS

- Operating Temperature: 10° C (50° F) to 40° C (104° F)
- Operating Humidity: 20% to 85% RH
- Storage Temperature: -20° C (-4° F) to 60° C (140° F)
- Storage Humidity: 5% to 85% RH

### INCLUDED ACCESSORIES

- Installation Kit for 15" NXD panels (KA2251-02):- 2-pin mini-Phoenix connector (41-5025)- Four Drywall clips (62-5924-05) and #6 -metal strips (80-0192)- Three Phillips-head screws (#4-20 x 0.250 Black) (80-0114-08)- Two CAT5 Suppression Ferrites (04-0014)
- Installation Kit for 15" and 17" NXT panels (KA2251-04):- 2-pin mini-Phoenix connector (41-5025)- One CAT5 Suppression Ferrites (04-0014)- Three Phillips-head screws (#4-20 x 0.250 Black) (80-0114-08)
- Included within the RGB Kit (FGxxxx-xxRGB) is the following:- Modero VG Touch Panel (NXD/NXT-1200/1500/1700VG)- NXA-AVB/RGB Breakout Box (FG2254-11)- NXA-RGB internal RGB/VGA Interface Card (FG2260)- NXA-RGBCBL, 15-pin to 5X BNC RGB Breakout cable (FG2250-80)- NXA-MTC/RGB Modero 10' foot Table Top Cable (with RGB connector) (CA2250-70)

- Included within the Video Kit (FGxxxx-xV) is the following:- Modero VG Touch Panel (NXD/NXT-1200/1500/1700VG)- Modero 10' foot Table Top Cable (CA2250-50) - NXA-AVB/ETHERNET Breakout Box (FG2254-10)

### OTHER AMX EQUIPMENT

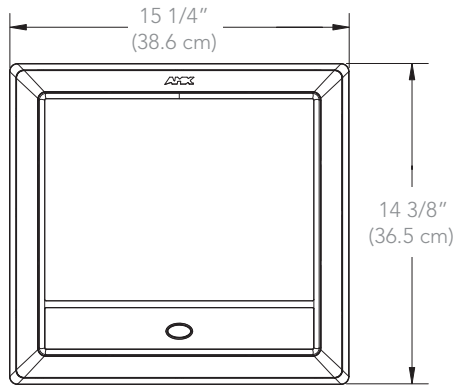
- CB-TP15 Conduit/Wallbox (FG032-10)
- CC-USB (Type A) to Mini-B 5-Wire programming cable (FG10-5965)
- Kensington Lock Bracket (FG2259-10) (optional only with NXTs)
- MAX-CSE MAX Video Encoder (FG2178-70)
- MB-TP15 Universal VESA Mounting Box (FG032-50)
- NXA-AVB/ETHERNET Breakout Box (FG2254-10)
- NXA-AVB/RGB Breakout Box (FG2254-11)
- NXA-BASE/B (FG2255)
- NXA-MTC/RGB Modero 10' foot Table Top Cable (with RGB connector) (CA2250-70). This cable is not wall-rated for NXD models.
- NXA-PCI80211G Wireless Card (FG2255-04)
- NXA-RGBKIT RGB upgrade kit for Composite Video touch panels (FG2255-11):- NXA-AVB/RGB Breakout Box (FG2254-11)- NXA-MTC/RGB Modero 10' foot Table Top Cable (with RGB connector) (CA2250-70)- NXA-RGB internal RGB/VGA Interface Card (FG2260)- NXA-RGBCBL, 15-pin to 5X BNC RGB Breakout cable (FG2250-80)- NXT Table Top replacement I/O plate (with RGB connector opening) (62-2250-59)- NXD WallMount replacement adhesive overlay for existing I/O plate (53-2250-03)

Note: The NXT replacement I/O plate is a single piece which is meant to be swapped-out with the pre-existing plate shipped with Composite Video panels. On NXD panels, the RGB connector opening is pre-drilled into the I/O plate but can only be accessed by replacing the adhesive cover and maintaining the existing overlay. When upgrading NXD panels with this kit, don't replace the NXD I/O plate, only the adhesive cover.

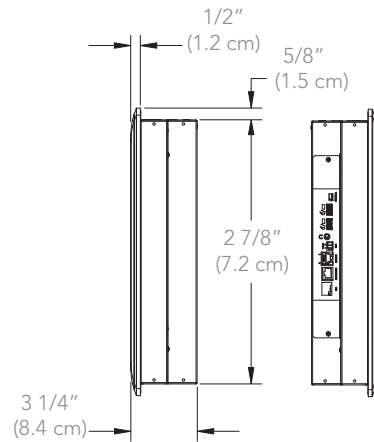
- NXA-RGBCBL, 15-pin to 5X BNC RGB Breakout cable (FG2250-80)
- NXA-RK15 Rackmount kit for 15" Wall Mount panels (FG2904-51)
- NXT-BP (FG2250-10)
- NXT-CHG (FG2250-50)
- PSN6.5 Power Supply (12 VDC) (FG423-41)
- Upgrade Compact Flash (factory programmed with firmware):NXA-CFTPV256M - 256 MB V/VG compact flash card (FG2116-43) NXA-CFTPV512M - 512 MB V/VG compact flash card (FG2116-44) NXA-CFTPV1G - 1 GB V/VG compact flash card (FG2116-45)



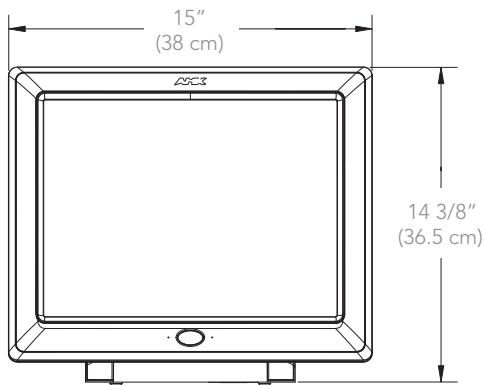
IT'S YOUR WORLD. TAKE CONTROL.



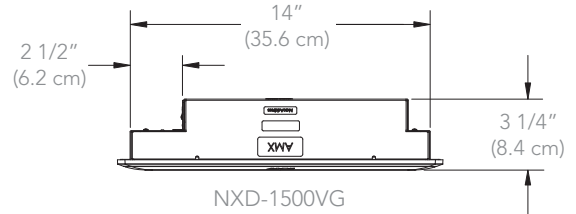
NXD-1500VG  
(Front View)



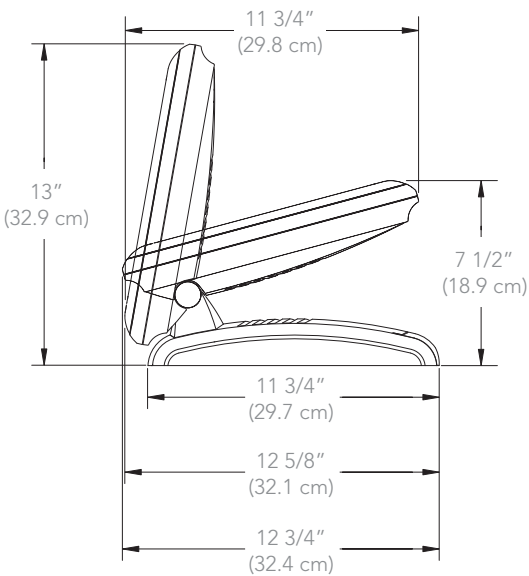
NXD-1500VG  
(Left & Right Views)



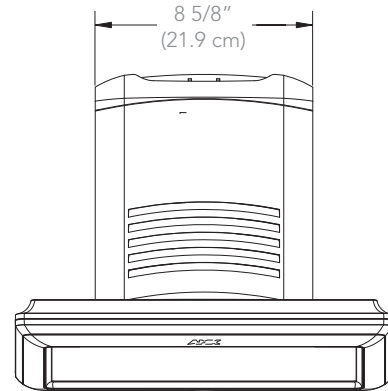
NXT-1500VG  
(Front View)



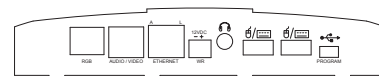
NXD-1500VG  
(Top View)



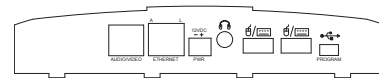
NXT-1500VG  
(Right View)



NXT-1500VG  
(Top View)



NXT-1500VG/RGB



NXT-1500VG

Interconnect Options  
Connector Plates



IT'S YOUR WORLD. TAKE CONTROL.