

### Overview

The Mio R-1 (FG147) remote provides custom control features, contained in an elegant handheld device. The Mio R-1 controls 6 different device modes, supports 3 macro functions and is capable of executing 219 functions.

Selecting a source device sends a command to the master and runs predetermined events associated with that source. Selecting a macro will run predefined events, which might not be associated with sources listed, then return the device to its previous mode.

You need KeypadBuilder to properly program this device. The application and documentation are available from [www.amx.com](http://www.amx.com).

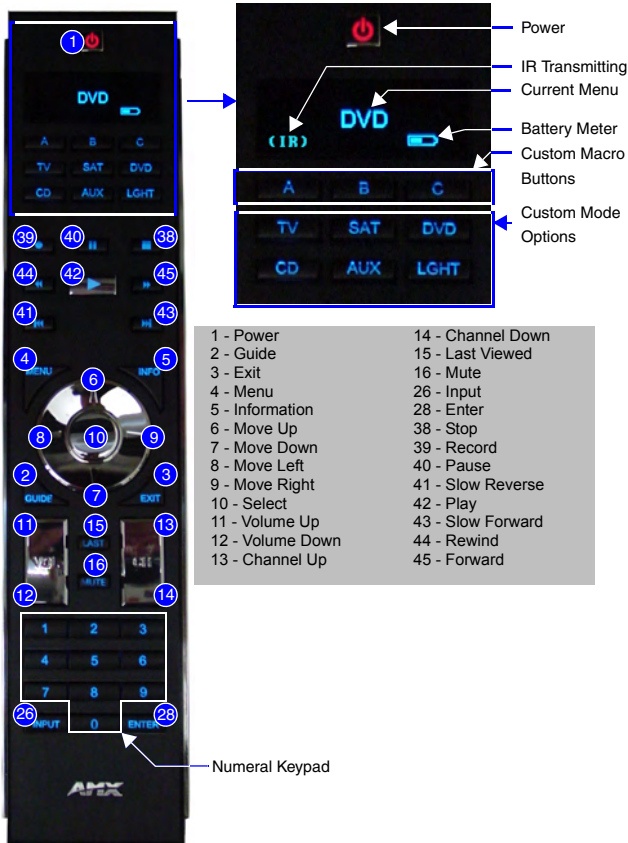


FIG. 1 The Mio R-1 Device

### Touch And Tilt Sensor

The Mio R-1 wakes up upon touching either the chrome side rails or pressing a button. When holding the remote and it times out, you can reawaken the device by tilting it. Errant jostling such as a bumped table will not wake the device unless you are holding it.

### Specifications

The Mio R-1 device specifications are as follows:

Mio R-1 (FG147) Specifications	
Battery	4 AAA Alkaline Batteries (5 hours battery life)
Transmission Frequencies	AMX 38 KHz/455 KHz IR
Transmission Range (distance) with Mio IR Receiver	<ul style="list-style-type: none"> <li>100 feet at 38KHz</li> <li>50 feet at 455KHz</li> </ul>
Transmission Range (angle)	<ul style="list-style-type: none"> <li>140 degrees (+/-70° from perpendicular) horizontally from an axis extending from the end of the remote.</li> <li>40 degrees (+/-20° from perpendicular) vertically from an axis extending from the end of the remote.</li> </ul>
Top Components	<ul style="list-style-type: none"> <li>LED - blue backlit buttons indicate device is awake</li> <li>Display (OLED) - 128 x 32 pixels, active area is 29.42mm x 7.98mm</li> <li>Pushbuttons - the power button is red backlit; the rest are blue backlit buttons. 45 buttons; 9 custom buttons (3 macro and 6 device).</li> </ul>
Rear Component	<ul style="list-style-type: none"> <li>Programming Port - 2.5 mm stereo female conductor jack</li> <li>Battery Door</li> </ul>
Dimensions (HWD)	9.50 x 2.00 x .74 (241.3 mm x 50.8 mm x 18.80 mm)

### Mio R-1 (FG147) Specifications (Cont.)

Supported Languages:	<ul style="list-style-type: none"> <li>English</li> <li>French</li> <li>German</li> <li>Greek</li> <li>Italian</li> <li>Japanese</li> <li>Korean</li> <li>Mandarin Chinese</li> <li>Portuguese</li> <li>Russian</li> <li>Spanish</li> </ul>
Weight	<ul style="list-style-type: none"> <li>.45 lbs (20 kg) without batteries</li> <li>.55 lbs (25 kg) with batteries</li> </ul>
Operating Environment:	<ul style="list-style-type: none"> <li>Operating Temperature: 0° to 50° C (32° to 122° F)</li> <li>Storage Temperature: -10° to 70° C (14° to 158° F)</li> </ul>
Other AMX Equipment	<ul style="list-style-type: none"> <li>DB-9 extension cable (FG10-727)</li> <li>Programming Cable - a 3 wire, 2.5 mm stereo jack (FG10-817)</li> <li>Custom engraving (FG147-01)</li> <li>Mio-RCC Kit (FG147-03K)</li> <li>Mio-RCC Charging Base (FG147-02)</li> <li>Mio-RBP Rechargeable Lithium Ion Battery (FG147-10)</li> <li>Mio Modero IR Receiver (FG5797-01xx; xx indicates color)</li> </ul>

### Installing Your Custom Buttons

1. Flip and turn the Mio R-1 device so that the buttons are facing away from you and the device is upside down.
2. Holding the device in both hands, place your thumbs on the battery door and push up to slide the battery door free.
3. Unscrew the 6 screw points indicated in FIG. 2.

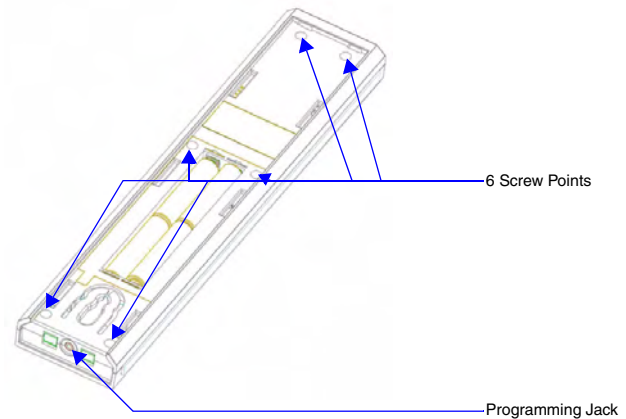


FIG. 2 Internal Mio R-1 Components

4. Turn the unit over so the buttons are facing you.
5. Lift the top assembly away from the PCB.
6. If necessary, push out the standard buttons from the front of the top assembly.
7. Drop on your custom button pad and verify the alignment with the guide posts on the PCB.
8. Place the top assembly back down on the PCB and return the unit over, exposing the 6 screw points.
9. Tighten the 6 screw points.
10. Place the battery door back on the device, slide to lock it in place.

### Inserting Batteries into The Mio R-1

To install your 4 AAA batteries into the Mio R-1 device:

1. Flip and turn the Mio R-1 device so that the buttons are facing away from you and the device is upside down.
2. Holding the device in both hands, place your thumbs on the battery door and slide the battery door free.
3. Insert the batteries as indicated inside the battery compartment.
4. Place the battery door back on the device, slide to lock it in place.

### Battery Low Indicator

When the battery charge level is too low to sustain continuous operation, the LCD flashes, "Battery Low" and the device shuts down.

### Programming The Mio R-1 Using KeypadBuilder

Most functionality of the Mio R-1 is handled using the application, *KeypadBuilder*. Go to [www.amx.com](http://www.amx.com) for the *KeypadBuilder Instruction Manual*.

There are a select number of Serial Commands the Mio R-1 recognizes. For a full list and descriptions, consult the *Mio R-1 Instruction Manual* on [www.amx.com](http://www.amx.com).

## Using Connector Ports on The Mio R-1

The programming jack is used for communication between the device and KeypadBuilder. The programming jack uses a three-wire, 2.5 mm stereo jack, you can order the programming cable (FG10-817) from AMX if you do not currently possess one. While loading your configuration file make sure the device is situated as such that the batteries will not fall out. The load will fail if your batteries fall out during the process. The Mio communicates at 115200 baud rate.

To download KeypadBuilder Configuration Files:

1. Set the Mio R-1 Download mode to ON. See the Configuration Mode section for details.
2. Flip and turn the Mio R-1 device so that the buttons are facing away from you and the device is upside down.
3. Holding the device in both hands, place your thumbs on the battery door and slide the battery door free.
4. Connect the 2.5 mm stereo plug (male) end of the programming cable (FG10-817) into the programming jack on the bottom side of the remote device. If necessary, connect the DB-9 end of the programming cable to the female DB-9 connector on the DB-9 extension cable (FG10-727).
5. Connect the female DB-9 terminal end of the extension cable to the port on the back of your computer.
6. Configure the communication parameters in KeypadBuilder.

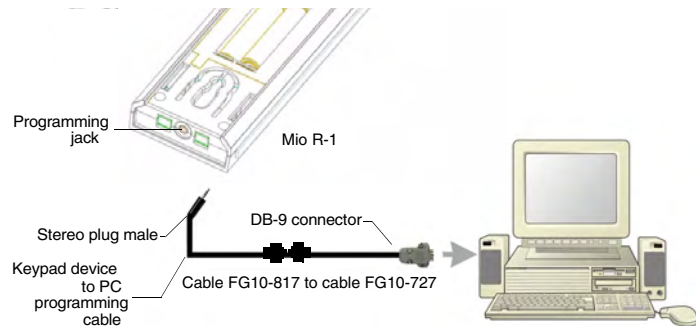


FIG. 3 Connecting The Keypad Device to Your PC

## IR Code Matrix

The IR Code emitted depends upon which of the 6 configurable modes is selected. Below is the list of codes for each button within each mode.

IR Code Matrix							
Button	Label	Mode 1	Mode 2	Mode 3	Mode 4	Mode 5	Mode 6
1	Power Symbol	9	49	89	129	169	209
2	GUIDE	38	78	118	158	198	238
3	EXIT	37	77	117	157	197	237
4	MENU	31	71	111	151	191	231
5	INFO	39	79	119	159	199	239
6	▲	32	72	112	152	192	232
7	▼	33	73	113	153	193	233
8	◀	34	74	114	154	194	234
9	▶	35	75	115	155	195	235
10	SELECT	36	76	116	156	196	236
11	VOL +	24	64	104	144	184	224
12	VOL -	25	65	105	145	185	225
13	CH +	22	62	102	142	182	222
14	CH -	23	63	103	143	183	223
15	LAST	40	80	120	160	200	240
16	MUTE	26	66	106	146	186	226
17	1	11	51	91	131	171	211
18	2	12	52	92	132	172	212
19	3	13	53	93	133	173	213
20	4	14	54	94	134	174	214
21	5	15	55	95	135	175	215
22	6	16	56	96	136	176	216
23	7	17	57	97	137	177	217
24	8	18	58	98	138	178	218
25	9	19	59	99	139	179	219
26	INPUT	29	69	109	149	189	229
27	0	10	50	90	130	170	210

## IR Code Matrix (Cont.)

Button	Label	Mode 1	Mode 2	Mode 3	Mode 4	Mode 5	Mode 6
28	ENTER	21	61	101	141	181	221
29	A (Macro 1)	250	250	250	250	250	250
30	B (Macro 2)	251	251	251	251	251	251
31	C (Macro 3)	252	252	252	252	252	252
32	TV (Mode 1)	241	241	241	241	241	241
33	SAT (Mode 2)	242	242	242	242	242	242
34	DVD (Mode 3)	243	243	243	243	243	243
35	CD (Mode 4)	244	244	244	244	244	244
36	AUX (Mode 5)	245	245	245	245	245	245
37	LGHT (Mode 6)	246	246	246	246	246	246
38	STOP ■	2	42	82	122	162	202
39	REC ●	8	48	88	128	168	208
40	PAUSE	3	43	83	123	163	203
41	S. REV ◀	7	47	87	127	167	207
42	PLAY ▶	1	41	81	121	161	201
43	S. FWD ▶▶	6	46	86	126	166	206
44	REW ◀◀	5	45	85	125	165	205
45	FWD ▶▶	4	44	84	124	164	204

## Configuration Mode

The configuration mode allows you to set the following device features:

- IR Transmit Mode (38 KHz or 455 KHz)
- Timeout Adjustment
- Download Mode
- Debug Mode
- Battery Type
- LED Awake Brightness
- LED Sleep Brightness

To enter configuration Mode:

1. Press and hold the **STOP** button and the **INPUT** button. The two buttons must be pressed within 0.1 seconds of each other and held down for 2 seconds. The device indicates you are now in configuration mode. See below for available modes.
2. Press the **EXIT** key when you are finished.

**Note:** Your settings will not be lost in the event your batteries die or are removed.

### IR Transmit Mode

Pressing button "1" on the remote toggles the IR transmission mode between 38KHz and 455KHz. The display indicates the current mode.

### Timeout Adjustment

Press button "2" on the remote to change the sleep timeout from the default. Each time "2" is pressed, the sleep timeout raises incrementally. The pre-determined sleep timeouts are:

- 3 seconds
- 6 seconds
- 9 seconds
- 12 seconds

The display indicates the selected sleep timeout.

### Download Mode

Pressing "3" on the remote toggles the Download mode OFF and ON. The Download mode must be ON before you can download a file to the Mio R-1 device. While the Download mode is ON the device will not go to sleep. A power cycle will return the device to Download OFF.

### Debug Mode

Pressing button "4" on the remote toggles development mode between ON and OFF. The display indicates the selected mode. In development mode, the display shows the IR code assigned to buttons when pressed.

This mode is useful to the programmer when determining what IR codes are associated to each mode.

### Battery Type

Pressing button "6" on the remote toggles the battery type between Normal and Recharge. The display indicates the selected type. The type of battery in the Mio R-1 dictates the battery type you need to set.

### LED Awake Brightness

Pressing button "7" on the remote toggles the Power LED brightness mode from LOW to MED and then HIGH. The display indicates the selected mode.

### LED Sleep Mode Brightness

Pressing button "8" on the remote toggles the Sleep brightness mode from OFF to LOW and then MED. The Sleep brightness is the state the Mio R-1 assumes while in the charging cradle.