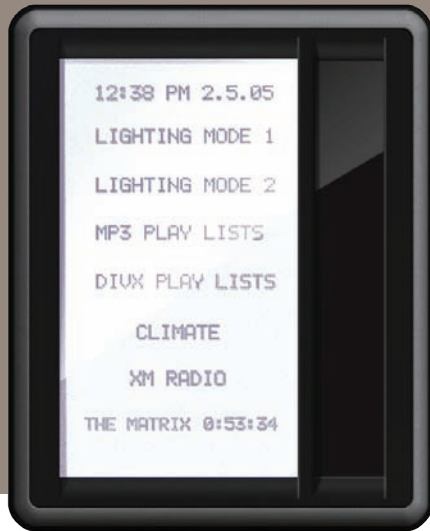


# mio moderer<sup>®</sup> dms & mio moderer<sup>®</sup> dms pinnacle keypads



## WHAT A VIEW

Get ready to change your perspective on dynamic menu system keypads. AMX's new Mio Moderer DMS and DMS Pinnacle Keypads feature a bright, easy-to-read 4" monochrome LCD display and two new innovative ways to experience control.

## EXTERNAL PUSHBUTTONS

The Mio Moderer DMS Keypad has eight external pushbuttons, allowing the end user to scroll through menu items and make selections.

## SLIDER & TOUCH OVERLAY

The Mio Moderer DMS Pinnacle Keypad comes with a slider and includes a touch overlay on the LCD, providing responsive control for the end user.

## SPEEDY NAVIGATION

Both keypads possess a Dynamic Menu System structure that allows for speedy navigation. Simply press the up and down external pushbuttons to scroll line-by-line, page-by-page. With the touch of a finger, the slider takes you through entire page flips. Results in a matter of seconds.



# mio modero® dms & mio modero® dms pinnacle keypads

MIO-DMS (FG2408-01)/  
MIO-DMS-P (FG2408-02)  
Preliminary Specs Subject to  
Change

## WIRING

- RJ-45 port for Ethernet or Power over Ethernet (PoE)
- 2-pin 3.5mm captive-wire power connector

## FACEPLATE DIMENSIONS (HWD)

- DMS: 4.5" x 3.6" x 0.38" (114.3mm x 91.4mm x 9.7mm)
- DMS Pinnacle: 4.5" x 3.6" x 0.425" (114.3mm x 91.4mm x 10.8mm)

## BACKBOX DIMENSIONS

- 3.9" x 2.95" x 2.45" (99mm x 75mm x 62.2mm)

## WEIGHT

- 10 oz (283 g)

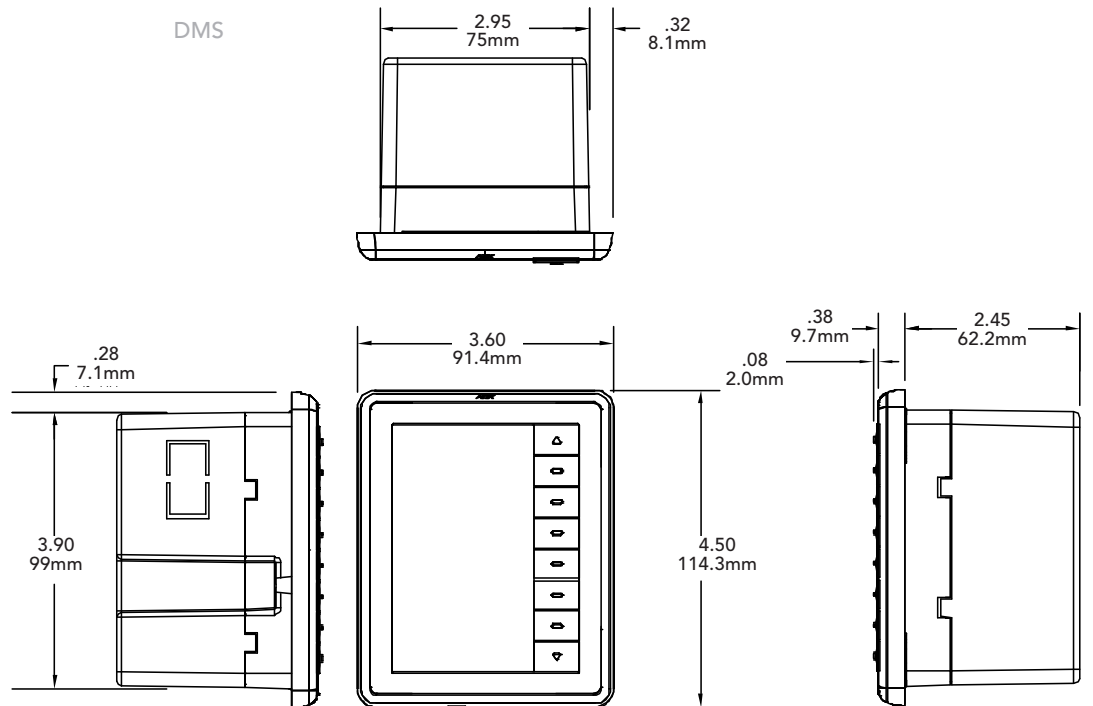
## POWER

- 5.5 Watts (450 mAmps at 12VDC)

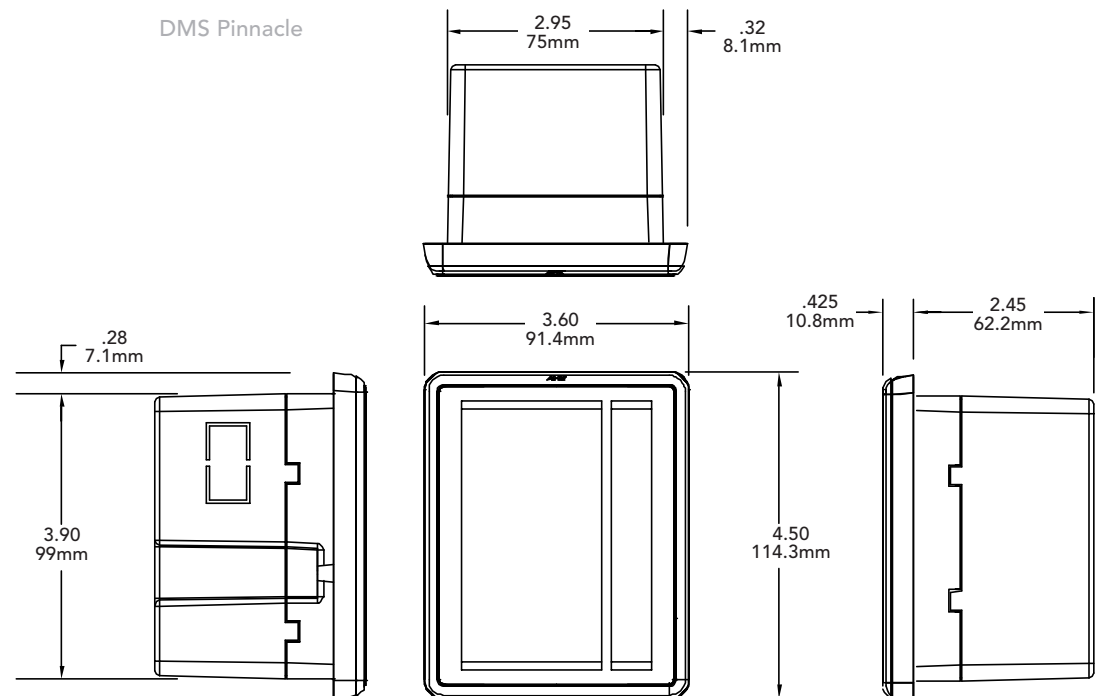
## COLORS

- Black
- White
- Beige
- Ivory
- Almond
- Light Almond
- Taupe
- Brown
- Gray
- Gold Metallic
- Silver Metallic

DMS



DMS Pinnacle



IT'S YOUR WORLD. TAKE CONTROL.

ARGENTINA • AUSTRALIA • BELGIUM • BRAZIL • CANADA • CHINA • ENGLAND • FRANCE • GERMANY • GREECE • HONG KONG • INDIA • INDONESIA • ITALY • JAPAN  
LEBANON • MALAYSIA • MEXICO • NETHERLANDS • NEW ZEALAND • PHILIPPINES • PORTUGAL • RUSSIA • SINGAPORE • SPAIN • SWITZERLAND • THAILAND • TURKEY • USA  
ATLANTA • BOSTON • CHICAGO • CLEVELAND • DALLAS • DENVER • INDIANAPOLIS • LOS ANGELES • MINNEAPOLIS • PHILADELPHIA • PHOENIX • PORTLAND • SPOKANE • TAMPA  
3000 RESEARCH DRIVE, RICHARDSON, TX 75082 • 800.222.0193 • 469.624.8000 • +1.469.624.7400 • 469.624.7153 fax • www.amx.com

01/06 © 2006 AMX. All rights reserved. AMX and the AMX logo are all trademarks of AMX. AMX reserves the right to alter specifications without notice at any time.